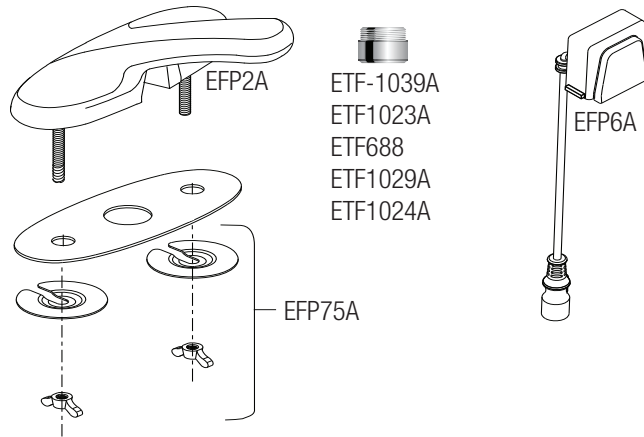


Optima® EBF-650/ETF-600

Parts & Accessories



ETF-600 Low-height, hardwired
EBF-650 Low-height, battery



ETF-1039A
ETF1023A
ETF688
ETF1029A
ETF1024A

SPOUT ASSEMBLY

Description	Code No.	Part No.
Spout Assembly	0367002	EFP2A
Sensor & Cable Assembly	0367006	EFP6A
Spout Mounting Assembly Kit	0367075	EFP75A

SPRAYHEAD OPTIONS

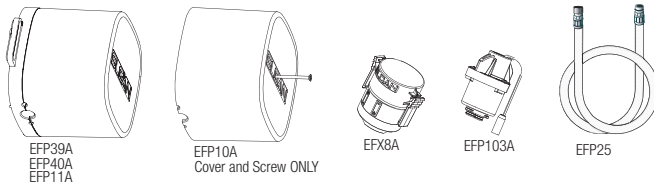
Description	Type	Code No.	Part No.
0.35 GPM/1.3 Lpm	MLM	3365756	ETF1039A
0.5 GPM/1.9 Lpm	MLM	3365092	ETF1023A
1.5 GPM/5.7 Lpm	LAM	0365395	ETF688
2.2 GPM/8.3 Lpm	LAM	3365162	ETF1029A
2.2 GPM/8.3 Lpm	AER	3365093	ETF1024A

TRIMPLATE OPTIONS

Description	Code No.	Part No.
8"	3365114	ETF578A

BELOW DECK ASSEMBLIES

Description	Code No.	Part No.
Control Box No Turbine	0367039	EFP39A
Control Box Turbine 0.5 gpm	0367040	EFP40A
Control Box Turbine 1.5 gpm	0367011	EFP11A
Quick Connect Spout Hose 24"	0367025	EFP25
Control Box Cover w/Screw	0367010	EFP10A
Solenoid Assembly	0367103	EFP103A
Battery Pack	3324113	EFX8A
Double Inlet Tee Filter Assembly	0367028	EFP28A
BDM & Single Inlet Tee Filter Assembly Kit	0367099	EFP99A
BDT & Single Inlet Tee Filter Assembly Kit	0367100	EFP100A
Replacement Filter Pack-(5) Filter (5) Large O-rings (5) Small O-rings	0367101	EFP101A
24 VAC Power Harness Assembly	0367098	EFP98A
110V/6 VDC Power Supply	0362006	SFP6
100/240VAC/6 VDC Power Supply	0362016	SFP36
120/24 VAC Power Supply	0365534PK	ETF-233
120/24 VAC Power Supply (Canada) Plug-in	0365879	ETF-416
120/24 VAC Power Supply (Box Mount)	0345370PK	EL-248-40
Extension Cable	0362017	SFP37
Splitter Cable	0362018	SFP38
Gang Adapter Kit	0362035	SFP35A



EFP39A
EFP40A
EFP11A

EFP10A
Cover and Screw ONLY

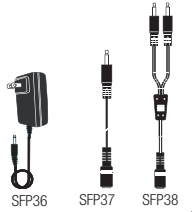
EFX8A

EFP103A

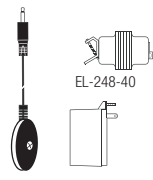
EFP25



SFP6



SFP35A



EL-248-40



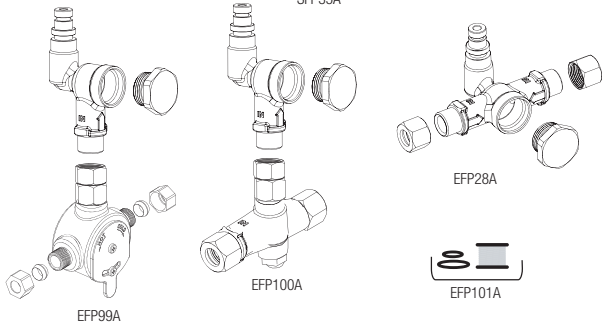
EFP98A



ETF-233



ETF-416



EFP99A

EFP100A

EFP28A

EFP101A

NOTE: Some parts and accessories must be ordered separately