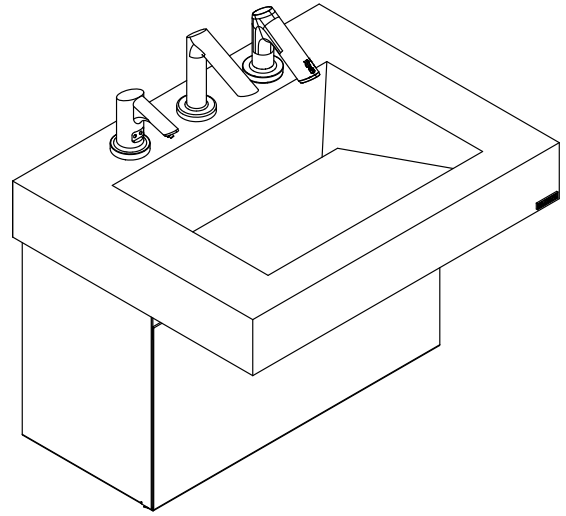
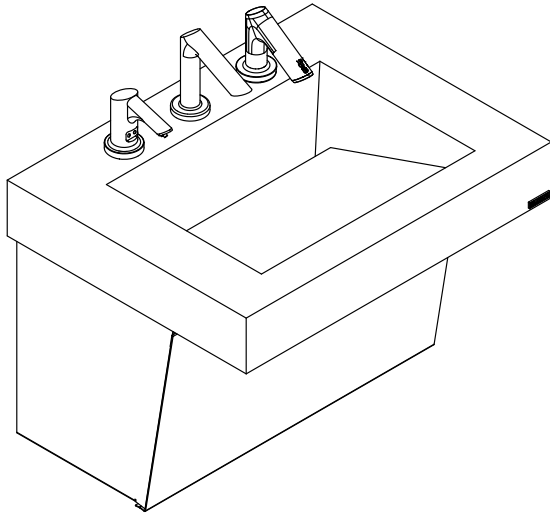


# AER-DEC®-81000 Integrated Sink System

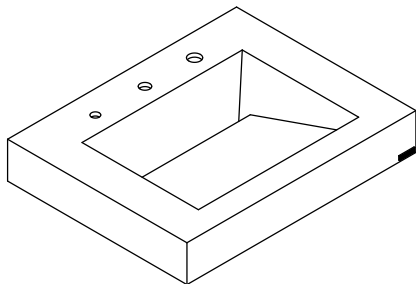
1 Station Corian® or Quartz Lavatory Systems



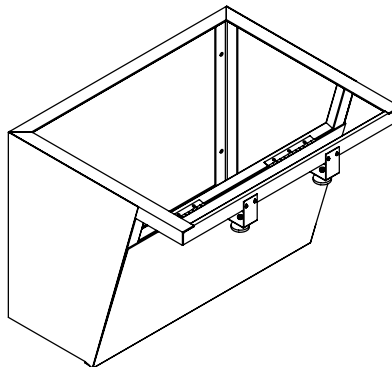
## Sink Location

Determine the appropriate wall location for the Lavatory System. Refer to original spec sheets for correct placement of electrical and plumbing locations. If wall is not load bearing, a carrier may be required behind the wall. Refer to the appropriate Rough-In diagram for Lavatory System dimensions. Prior to Lavatory System installation, electric wiring, water supply and drain must be installed.

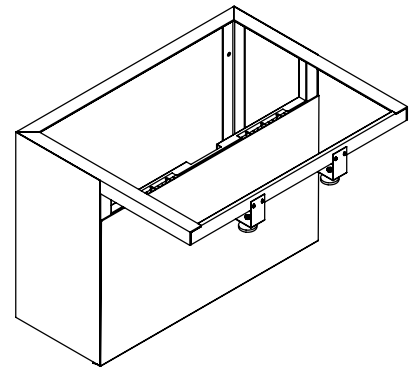
## AER-DEC® One Station Components



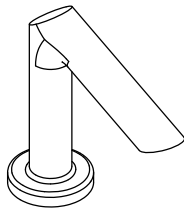
1) AD-81000 Dec



2a) Angled Enclosure



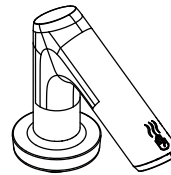
2b) Vertical Enclosure



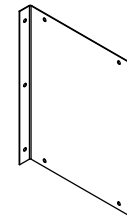
3) EBF/ETF 425/420 Faucet



4) ESD 420 Soap Dispense



5) EHD 420 Hand Dryer



6) Hand Dryer Bracket  
(Vertical Enclosure Only)

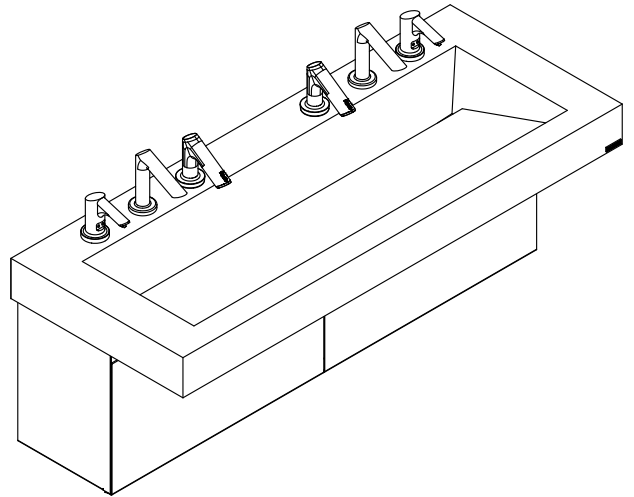
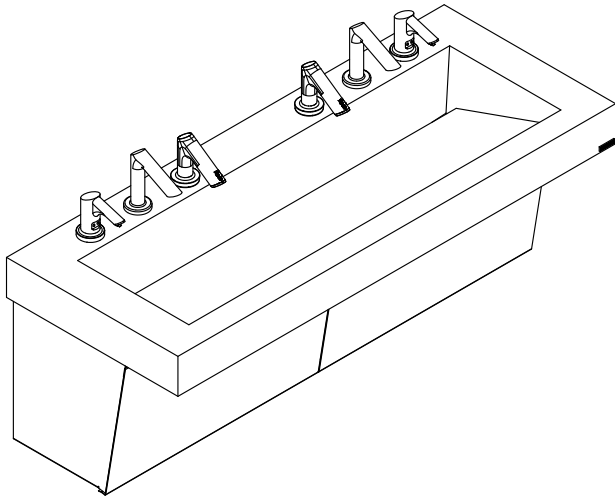
## AER-DEC® One Station Component List

Description	Item Number	Quantity
AER-DEC®, One Station, Integrated Deck	1	1
Angled Enclosure with Hold Open Door	2a	1
Vertical Enclosure with Hold Open Door	2b	1
EBF/ETF 425/420 Faucet	3	1
ESD 420 Soap Dispenser	4	1
EHD 420 Hand Dryer	5	1
Hand Dryer Bracket	6	1

**Note:** Hand Dryer Motor must be rotated 90° for installation into a standard vertical enclosure.

# AER-DEC®-82000 Integrated Sink System

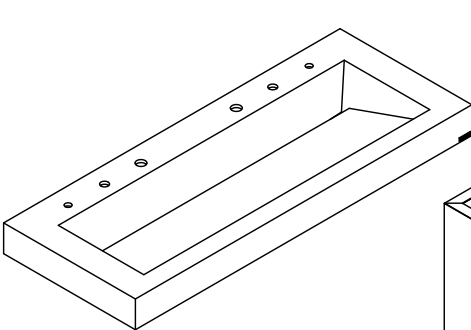
2 Station Corian® or Quartz Lavatory Systems



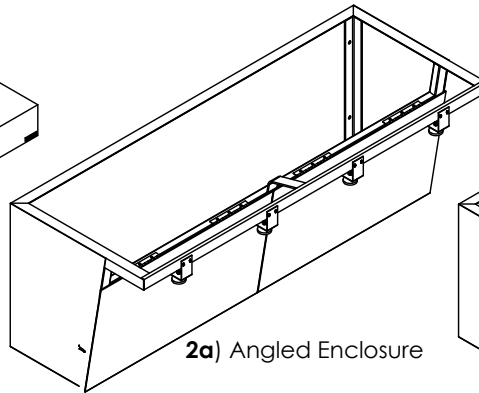
## Sink Location

Determine the appropriate wall location for the Lavatory System. Consider that hot and cold water supply lines, a drain line, and an electrical source (receptacle for hardwired faucets and hand dryer) will be required. Compare the physical dimensions of the Lavatory System to the space available for the installation. If wall is not load bearing, a carrier may be required behind the wall. Refer to the appropriate Rough-in diagrams for Lavatory System dimensions. Prior to Lavatory System installation, electric wiring, water supply and drain must be installed.

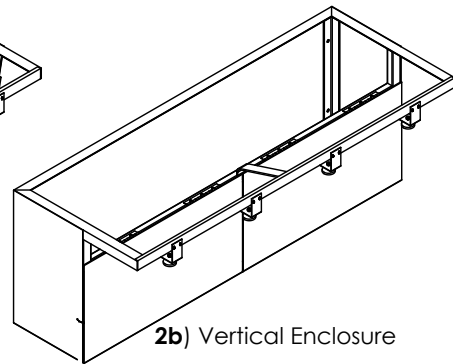
## AER-DEC® Two Station Components



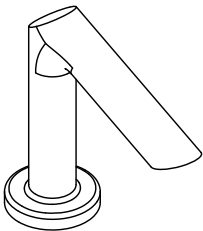
1) AD-82000 Dec



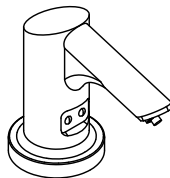
2a) Angled Enclosure



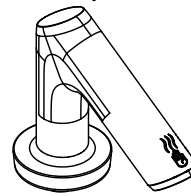
2b) Vertical Enclosure



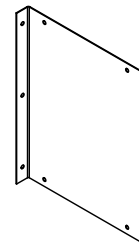
3) EBF/ETF 425/420 Faucet



4) ESD 420 Soap Dispense



5) EHD 420 Hand Dryer



6) Hand Dryer Bracket  
(Vertical Enclosure Only)

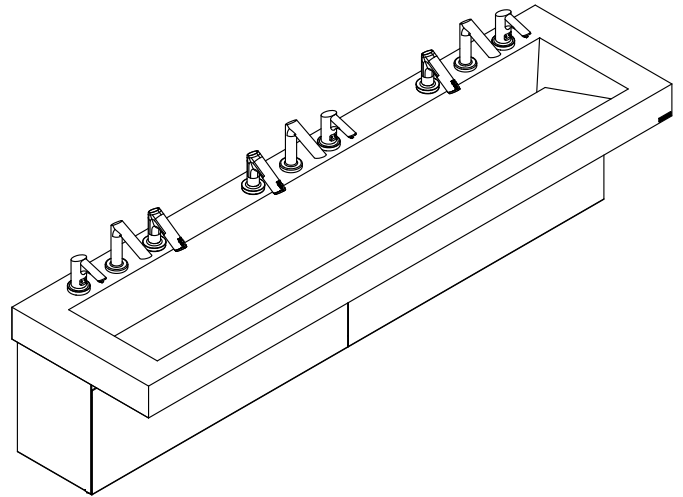
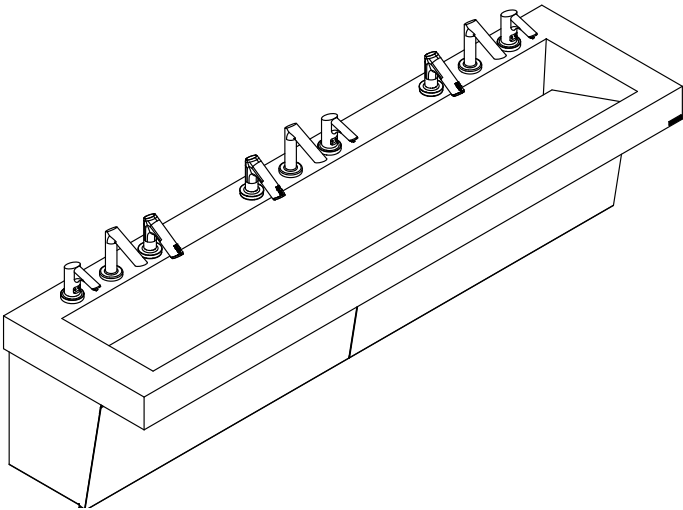
## AER-DEC® Two Station Component List

Description	Item Number	Quantity
AER-DEC®, Two Station, Integrated Deck	1	1
Angled Enclosure with Hold Open Door	2a	1
Vertical Enclosure with Hold Open Door	2b	1
EBF/ETF 425/420 Faucet	3	2
ESD 420 Soap Dispenser	4	2
EHD 420 Hand Dryer	5	2
Hand Dryer Bracket	6	2

**Note:** Hand Dryer Motor must be rotated 90° for installation into a standard vertical enclosure.

# AER-DEC® -83000 Integrated Sink System

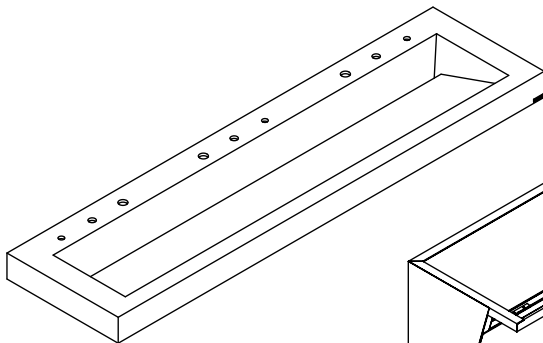
Three Station Corian® or Quartz Lavatory Systems



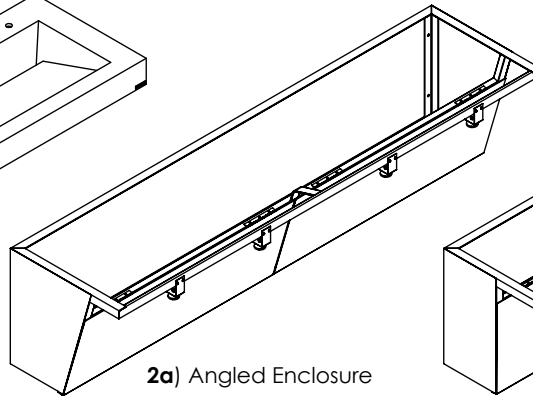
## Sink Location

Determine the appropriate wall location for the Lavatory System. Consider that hot and cold water supply lines, a drain line, and an electrical source (receptacle for hardwired faucets and hand dryer) will be required. Compare the physical dimensions of the Lavatory System to the space available for the installation. If wall is not load bearing, a carrier may be required behind the wall. Refer to the appropriate Rough-in diagrams for Lavatory System dimensions. Prior to Lavatory System installation, electric wiring, water supply and drain must be installed.

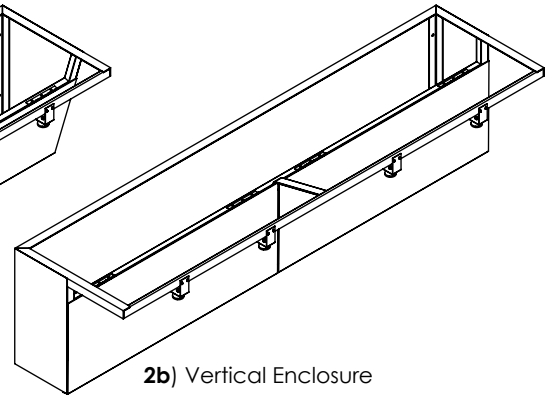
## AER-DEC® Three Station Components



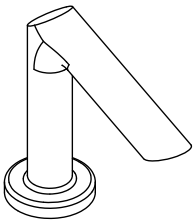
1) AD-83000 Dec



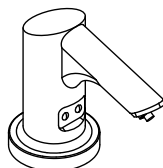
2a) Angled Enclosure



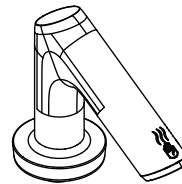
2b) Vertical Enclosure



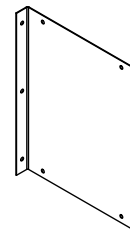
3) EBF/ETF 425/420 Faucet



4) ESD 420 Soap Dispense



5) EHD 420 Hand Dryer



6) Hand Dryer Bracket  
(Vertical Enclosure Only)

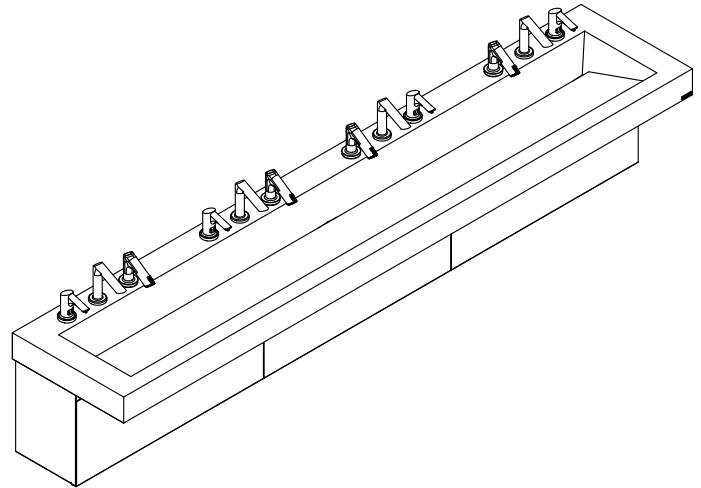
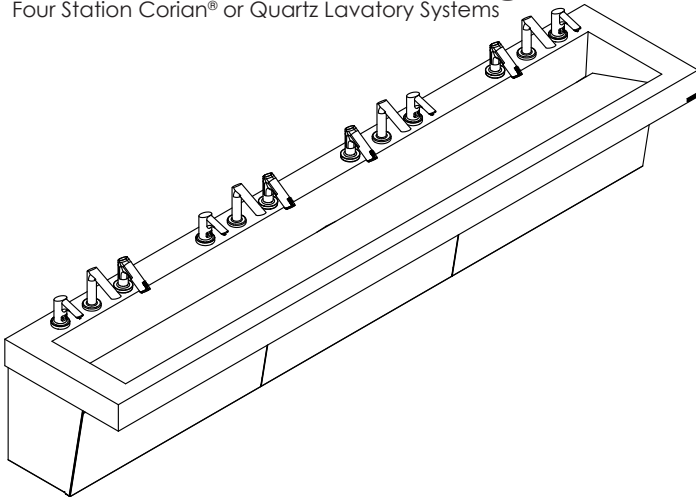
## AER-DEC® Three Station Component List

Description	Item Number	Quantity
AER-DEC®, Three Station, Integrated Deck	1	1
Angled Enclosure with Hold Open Door	2a	1
Vertical Enclosure with Hold Open Door	2b	1
EBF/ETF 425/420 Faucet	3	3
ESD 420 Soap Dispenser	4	3
EHD 420 Hand Dryer	5	3
Hand Dryer Bracket	6	3

**Note:** Hand Dryer Motor must be rotated 90° for installation into a standard vertical enclosure.

# AER-DEC®-84000 Integrated Sink System

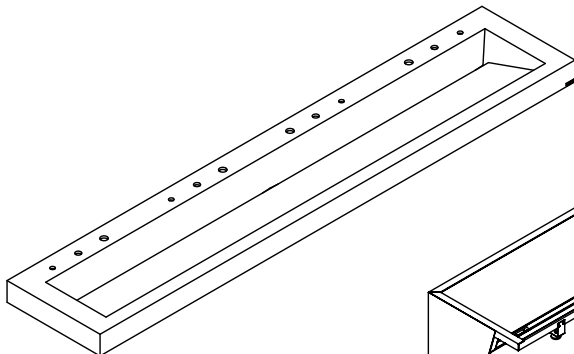
Four Station Corian® or Quartz Lavatory Systems



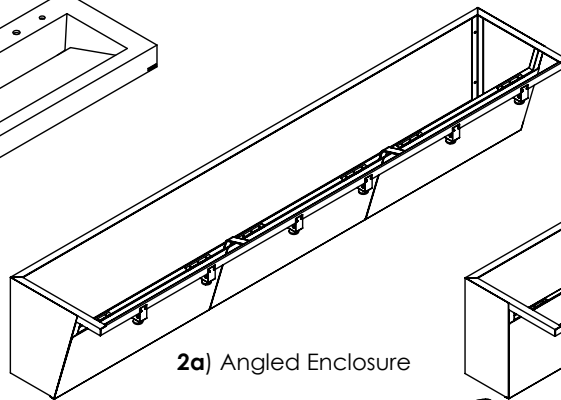
## Sink Location

Determine the appropriate wall location for the Lavatory System. Consider that hot and cold water supply lines, a drain line, and an electrical source (receptacle for hardwired faucets and hand dryer) will be required. Compare the physical dimensions of the Lavatory System to the space available for the installation. If wall is not load bearing, a carrier may be required behind the wall. Refer to the appropriate Rough-in diagrams for Lavatory System dimensions. Prior to Lavatory System installation, electric wiring, water supply and drain must be installed.

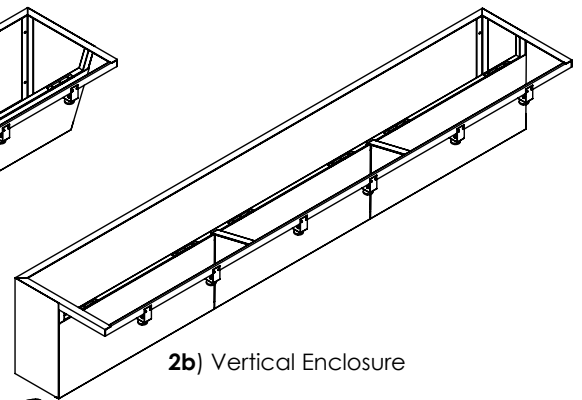
## AER-DEC® Four Station Components



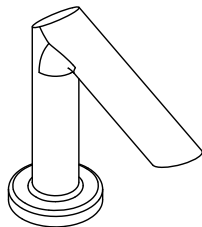
1) AD-83000 Dec



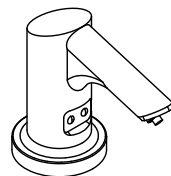
2a) Angled Enclosure



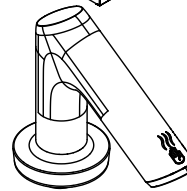
2b) Vertical Enclosure



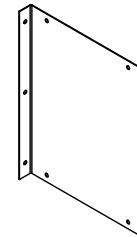
3) EBF/ETF 425/420 Faucet



4) ESD 420 Soap Dispense



5) EHD 420 Hand Dryer



6) Hand Dryer Bracket (Vertical Enclosure Only)

## AER-DEC® Four Station Component List

Description	Item Number	Quantity
AER-DEC®, Four Station, Integrated Deck	1	1
Angled Enclosure with Hold Open Door	2a	1
Vertical Enclosure with Hold Open Door	2b	1
EBF/ETF 425/420 Faucet	3	4
ESD 420 Soap Dispenser	4	4
EHD 420 Hand Dryer	5	4
Hand Dryer Bracket	6	4

**Note:** Hand Dryer Motor must be rotated 90° for installation into a standard vertical enclosure.