
SMOOTH® Side-mount Flushometer Single-flush

Battery powered, sensor activated retrofit unit for exposed closet and urinal flushometers.



1

PARTS LIST

Item

No.	Code No.	Part No.	Description
1.	3325201	EBV-200-A	Side Mount Operator for Water Closets (Toilets) and Urinals

SMOOTH® Side-mount Flushometer Single-flush

ADJUSTMENT PROCEDURES

Note: To make the adjustments indicated below, power to unit(s) must be turned off for ten (10) seconds. Mode selection is available within one (1) hour after every power up condition (reinstalling batteries).

Mode A

The SMOOTH unit may be reset to normal range by fully pressing and holding in the Override Handle until the Red LED light in the Sensor Window illuminates. Then immediately release the Override Handle.

Mode B

The SMOOTH unit may be set to reduced range for closet applications by pressing and holding in the Override Handle until the Red LED light in the Sensor Window flashes a slow long blinking light. Then immediately release the Override Handle.

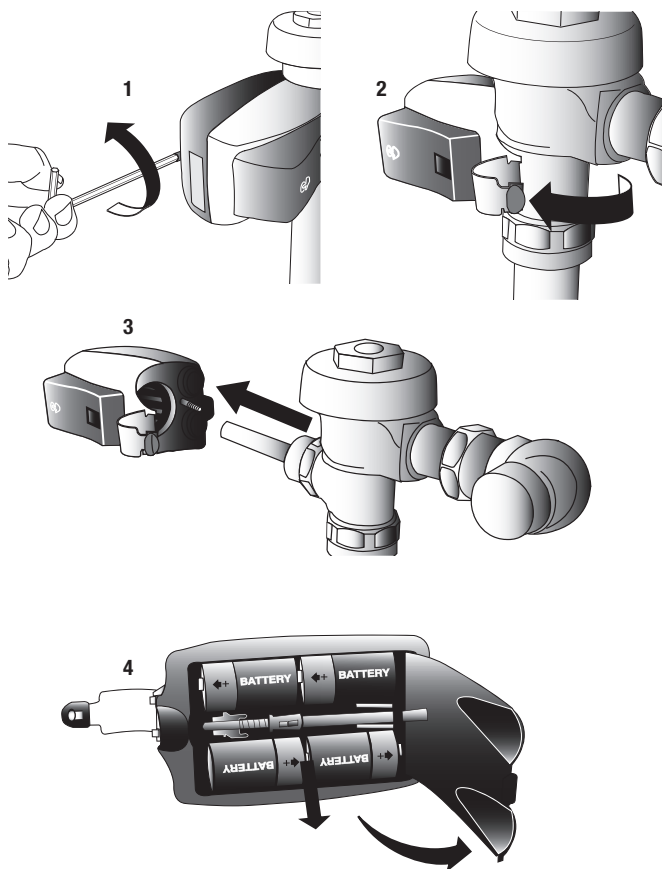
Mode C

The SMOOTH unit may be set to reduced range by pressing and holding in the Override Handle until the Red LED light in the Sensor Window displays a rapid on and off blinking light. Then immediately release the Override Handle.

BATTERIES

When required, replace batteries with four (4) type C batteries.

1. Release Mounting Clamp by turning the Mounting Screw counterclockwise with a 1/8" hex wrench.
2. Swing the Mounting Clamp into the open position.
3. Slide the unit from the flushometer body.
4. Open Battery Compartment Door and remove old batteries from unit. Replace batteries with 4 (four) new C-size batteries. Close Battery Compartment Door. Reinstall unit.



TROUBLESHOOTING GUIDE

1. Red LED light in the sensor window flashes twice as fast as normal.

- A. When a user enters the sensor's effective range and the Red LED light in the sensor window flashes twice as fast as normal, the batteries need replacement. Refer to the Battery Replacement Instructions.

CARE AND CLEANING OF CHROME AND SPECIAL FINISHES

DO NOT USE abrasive or chemical cleaners to clean flushometers as they may dull the luster and attack the chrome or special decorative finishes. Use **ONLY** mild soap and water, then wipe dry with clean cloth or towel.

While cleaning the bathroom tile, the flushometer should be protected from any splattering of cleaner. Acids and cleaning fluids can discolor or remove chrome plating.

When assistance is required, please contact Sloan Technical Support at: 1-888-SLOAN-14 (1-888-756-2614).