

**CODE NUMBER**

20011201

**DESCRIPTION**

ST-2009 Water Closet and SOLIS 8111 Flushometer.

**COMPONENTS**

- Flushometer: Code 3370085
- Water Closet: Code 2102009

**DETAILS**

- Flush Volume: 1.1 gpf (4.2 Lpf)
- Nominal Dimensions: 26 ¾" x 14" x 15" (679 x 356 x 381mm)

**FLUSHOMETER FEATURES**

- Handle Packing, Main Seat, Stop Seat and Vacuum Breaker Molded from PERMEX® Rubber Compound for Chloramine resistance
- User friendly three (3) second Flush Delay
- “Low Battery” Flashing LED
- Sweat solder adapter with cover tube and cast wall flange with set screw
- State-of-the-art photovoltaic technology delivers solar operation
- Solar Powered. The sensor assembly is powered by a solar cell that will harvest power from the artificial indoor light (incandescent, fluorescent or LED), and use it as the energy source. The solar cell can provide approximately 100% power with 650 illuminance (lux).
- Four (4) Size AA Battery Back-up Power Source
- Operates by means of an infrared sensor with multiple-focused, lobular sensing fields for high and low target detection
- Fixed Metering Bypass and No External Volume Adjustment to Ensure Water Conservation
- Flex Tube Diaphragm designed for improved life and reduced maintenance
- Engineered Metal Cover with replaceable Lens Window
- PERMEX® Synthetic Rubber Diaphragm with Dual-Filtered Fixed Bypass
- Courtesy Flush® Override Button
- Override button enables manual flushing if sensor’s power source fails
- High copper, low zinc brass castings for dezincification resistance
- Valve body, Cover, Tailpiece and Control Stop shall be in compliance with ASTM Alloy Classification for Semi-Red Brass
- Valve shall be in compliance to the applicable sections of ASSE 1037
- WaterSense compliant when used with a 1.1 gpf WaterSense compliant fixture
- 1.1 gpf (4.2 Lpf) flushometers are only recommended for new construction installations or those where sufficient drain line carry can be assured.

**FIXTURE FEATURES**

- White Vitreous China
- Elongated bowl
- Floor mounted, floor outlet
- Siphon jet flushing action achieves 1000g Map score when used



**COMPLIANCES & CERTIFICATIONS**



(BAA Compliant, BREEAM Materials Credit, BREEAM Water Credit, Carbon Neutral, EPD, Green Globes Materials & Resources Credit, Green Globes Water Credit, HPD, LEED Materials & Resources EPD Credit, LEED Materials & Resources HPD Credit, LEED V4 Water Efficiency Credit, WaterSense Listed, Satisfies LEED Credits, WELL Building Standard)

**DOWNLOADS**

- [Royal Exposed Installation Instructions](#)
- [Royal Exposed Spanish Installation Instructions](#)
- [Sloan Diaphragm Chart \(SP\) Repair and Maintenance Guide](#)
- [SS/ST/SU/WETS/WEUS Fixtures Repair and Maintenance Guide](#)
- [Additional Downloads](#)

**NOTES**

All information contained within this document subject to change without notice.

Static load tested according to the procedure outlined in Section 6.7 of ASME A112.19.2. Not recommended for bariatric use.

**WARRANTY**

[View Warranty Information](#)

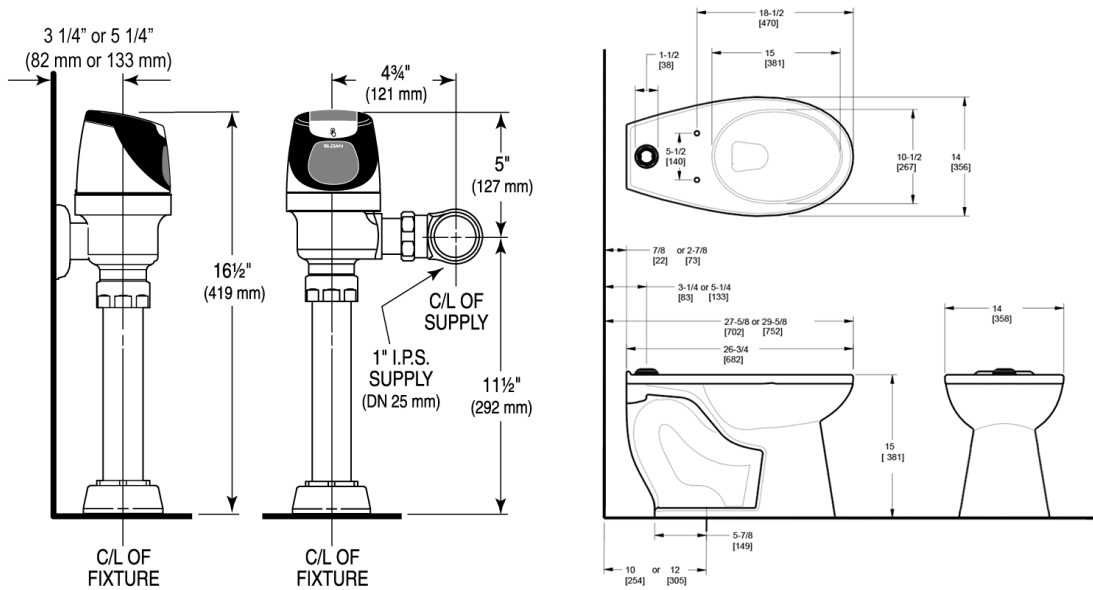
**Sloan 10500 Seymour Ave, Franklin Park, IL 60131**

Phone: 800.982.5839 • Fax: 800.447.8329 • [sloan.com](http://sloan.com)

with any Sloan flushometer

- Water spot area: 10<sup>3</sup>/<sub>8</sub>" x 9<sup>3</sup>/<sub>8</sub>" (26 cm x 24 cm)
- 1<sup>1</sup>/<sub>2</sub>" I.P.S. top spud inlet
- 2<sup>1</sup>/<sub>8</sub>" fully glazed trapway
- Closet bolts and caps included
- Toilet seat not included
- Static load rating of 1000 lbs. (See Notes)
- WaterSense compliant when used with a WaterSense compliant flushometer

**ROUGH-IN**



Sloan 10500 Seymour Ave, Franklin Park, IL 60131

Phone: 800.982.5839 • Fax: 800.447.8329 • [sloan.com](http://sloan.com)